

IMP80J/100J

SELF-PROPELLED AERIAL WORK PLATFORM

Mantall®



Standard Features

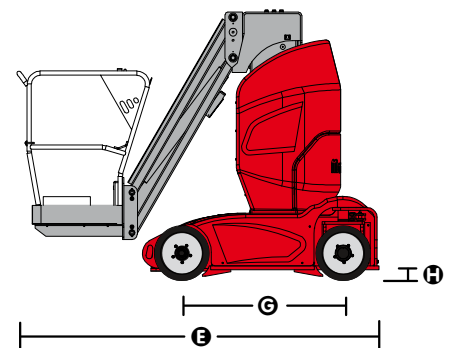
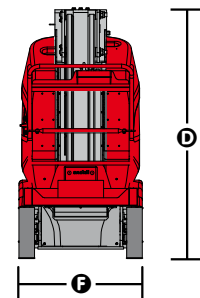
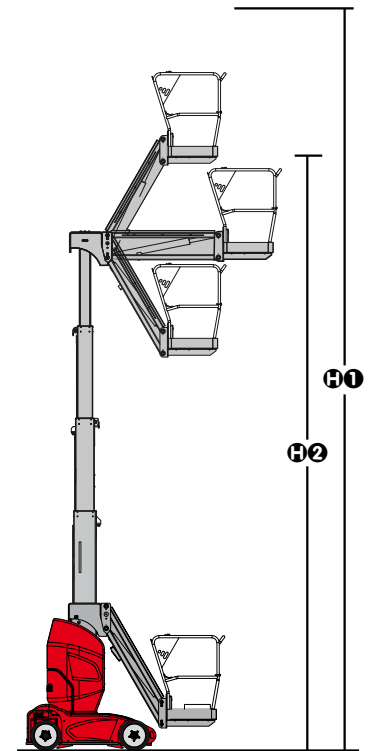
- Lifting capacity 200kg
- Standard Platform with median sliding rod
- Auxiliary Platform lowering System
- Ground Emergency Lowering Valve
- Proportional Raising and Driving Control
- Diagnosis system
- AC wiring to platform
- Lowering and tilt alarm
- Turn Inter-radius is 0
- Double wheel brake
- Hydraulic brake release
- Fixed Pothole guards
- The rear shield mounted with hinge, Conveniently to close to all major electric and hydraulic components.
- Transportation fixed hole
- Wide forklift hole
- Solid Non-marking tires

Options Features

- Fiber glass platform
- Goods collection platform
- Motion alarm
- Tool Box
- Platform Positioning Laser light
- Fluorescent Tubes Box
- Working Flashing Beacon
- Top Limit Protection Auto-stop device
- Maintenance-free battery
- Equipment Protection cover
- Can not be drive when charging

IMP80J/100J

Model	IMP80J	IMP100J
Max. Working height H1	8 m	10 m
Max. Platform height H2	6 m	8 m
Lift capacity	200 kg	
Max. Outreach	3.15 m	
Platform size (L x W x H)	0.91 x 0.85 x 1.14 m	
Stowed size E x F x D	2.76 x 0.99 x 1.99 m	
Wheelbase G	1.2 m	
Ground clearance H	0.075 m	
Ground clearance - deployed pothole	0.025 m	
Min. Turning radius - inside	0 m	
Min. Turning radius - outside	1.82 m	
Drive speed, stowed	4.5km/h	
Drive speed, raised	0.7km/h	0.5km/h
Jib Swing	-60° / +60°	
Gradeability	23%	
Max. Vertical tilt	2.5°	
Tire Size	406 x 125 mm	
Power source	DC 24V/240Ah	
Weight	2800 kg	2880 kg



IMP Series Self-propelled Single Mast Aerial Work Platform has compact design, light weight, quickly up and down and self-propelled, can greatly improve its work efficiency. With unique 'Zero inside turning radius', it is flexible and used in narrow space. Mantall IMP100J is full with modernistic feeling, using the streamlined design and the appearance of lines are strong. It is suitable for indoor narrow space, self-weight is light and stowed size is small (2.69m length*0.99m width*1.99m height). It has a working height of 10m and 3.2m working radius.